

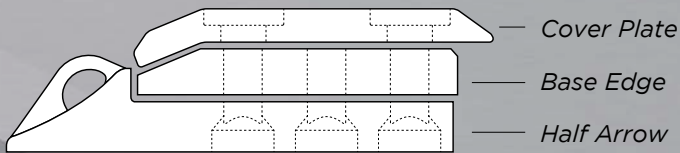


# BLACK CAT

WEAR PARTS

# HALF ARROW SEGMENTS & BLADES

for Applications on Caterpillar® Equipment



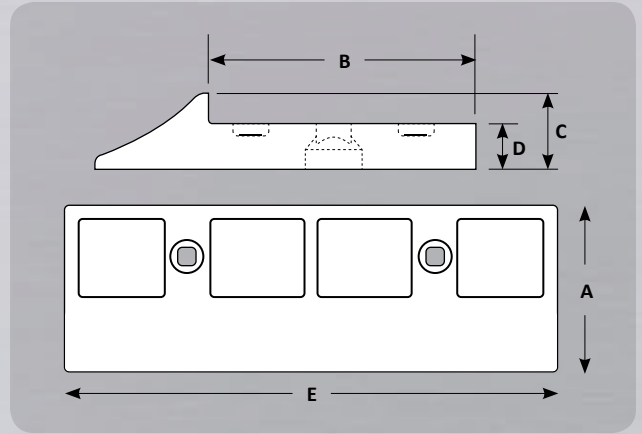
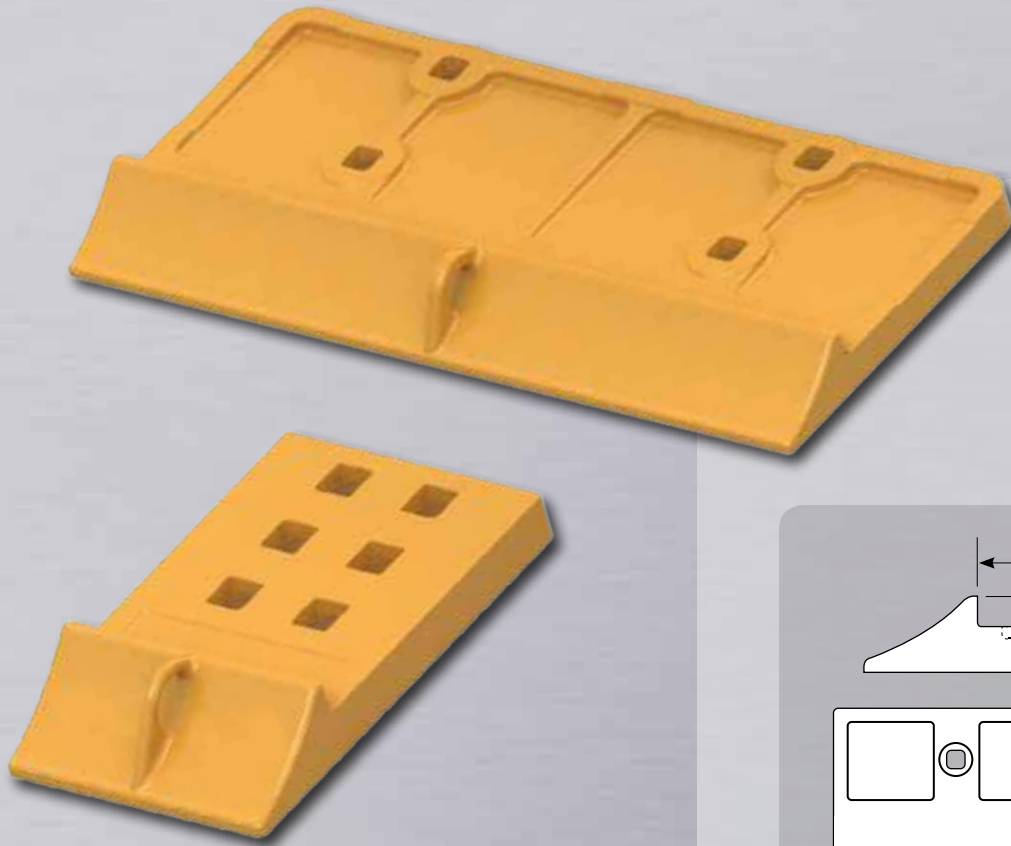
105.0816

LOADER



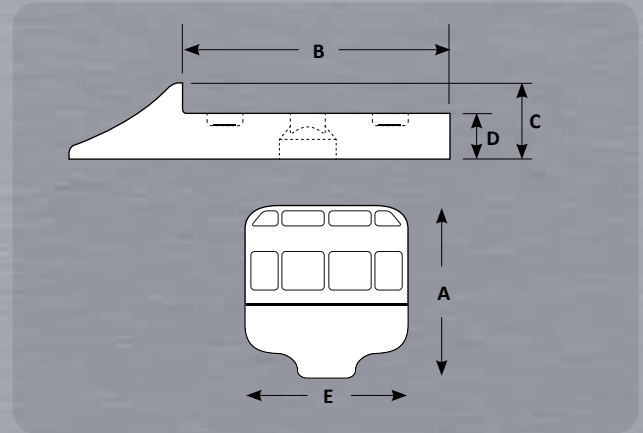
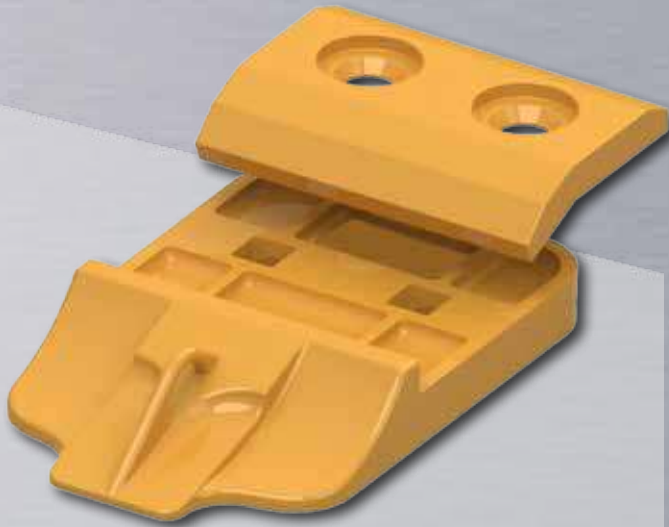
www.BlackCatWearParts.com sales@blackcatwearparts.com Toll Free: 1.800.661.6666 T: 780.465.6666 F: 780.465.9595

Caterpillar® and other identities and/or trademarks referred to in this publication are the registered marks of the entities noted herein. The use of any trademarks of others than Black Cat Blades Ltd. are solely and exclusively for identification, informational, comparative, and descriptive purposes. Black Cat Blades Ltd. is not affiliated with any owner of such registered marks and does not make, use, or sell any products manufactured by any such entity identified in this publication.



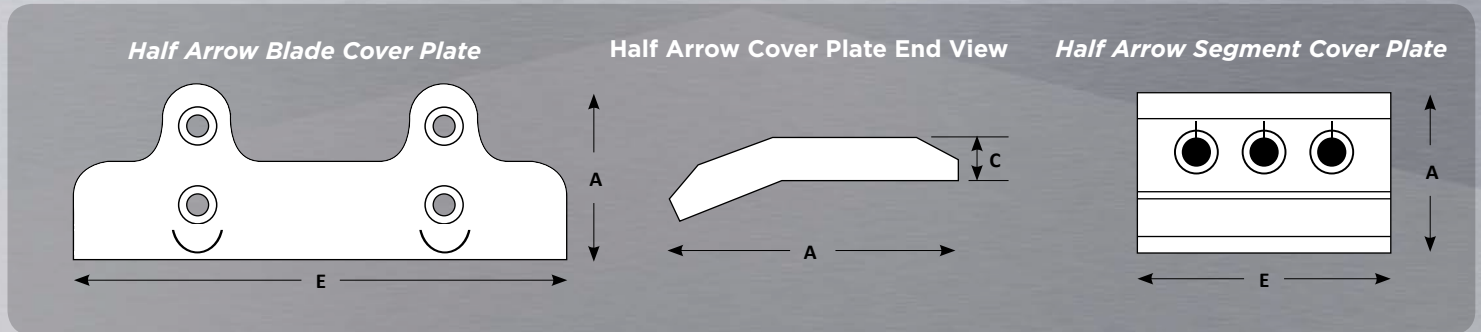
## Half Arrow Blades

Part Number	Description	Weight	Replaces (DBF)	Model	A	B	C	D	E	Holes
1U0601HAN	CTR Blade (3 req.)	116 lbs	1U0601 or 132 1034 (2 req.)	950B, E, F	10.38"	6.75"	2.38"	1.63"	30.25"	2
139 9230HAN	CTR Blade (3 req.)	130 lbs	139 9230 or 135 9666 (2 req.)	950G,H 962G,H 1T62G,H	10.38"	6.75"	2.38"	1.63"	32.15"	2
4T8101HA	End RH or LH (2 req.)	49 lbs	4T8101 or 132 1033 (2 req.)	950B,E,F,G,H 962G,H 1T62G,H	15.13"	11.50"	2.38"	1.63"	8.38"	3
1U0593HA	CTR Blade (3 req.)	230 lbs	1U0593 or 100 4046 (2 req.)	960F, 966D,E,F,G,H, 970F, 972G,H	15.63"	12.00"	2.88"	1.75"	33.50"	4
1U0593HAN	CTR Blade (3 req.)	163 lbs			11.13"	7.50"	2.88"	1.75"	33.50"	2
100 6668HA	CTR Blade (3 req.)	240 lbs	100 6668 or 140 6823 (2 req.)	966G,H 970F, 972G,H	15.63"	12.00"	2.88"	1.75"	35.38"	4
100 6668HAN	CTR Blade (3 req.)	172 lbs			11.13"	7.50"	2.88"	1.75"	35.38"	2
3G6395HAR	End RH. (1 req.)	69 lbs	3G6395 or 100 4044 (2 req.)	960F, 966D,E,F,G,H 970F, 972G,H	15.63"	12.00"	2.88"	1.75"	9.50"	3
3G6395HAL	End LH. (1 req.)	69 lbs			15.63"	12.00"	2.88"	1.75"	9.50"	3
217 4725	CTR Blade (3 req.)	274 lbs	1U0762 or 100 4047 (2 req.)	980C,F	16.75"	12.08"	3.13"	1.88"	36.75"	4
217 4725N	CTR Blade (3 req.)	221 lbs			12.75"	8.08"	3.13"	1.88"	36.75"	2
217 4727	CTR Blade (3 req.)	281 lbs	109 9212 or 109 9230 (2 req.)	980 F,G,H	16.75"	12.08"	3.13"	1.88"	37.94"	4
217 4727N	CTR Blade (3 req.)	227 lbs			12.75"	8.08"	3.13"	1.88"	37.94"	2
9W1375HAN	CTR Blade (3 req.)	203 lbs	9W1375	988B	12.75"	8.08"	2.75"	1.50"	39.88"	2
217 4726	End RH or LH (2 req.)	82 lbs	1U0761 or 100 4043 (2 req.)	980C,F,G,H 988B	16.75"	12.08"	3.13"	1.88"	10.50"	6
9W5733HA	CTR Blade	190 lbs	9W5733 or 106 1096	988 B	16.00"	10.50"	3.25"	1.75"	27.81"	5
9W5734HA	CTR Blade	83 lbs	9W5734	980, 988B, G	16.00"	10.50"	3.25"	1.75"	12.25"	3
9W5736HA	Intermediate RH	210 lbs	9W5736 or 106 1098	988 B	16.00"	10.50"	3.25"	1.75"	30.14"	6
9W5731HA	Intermediate LH	210 lbs	9W5731 or 106 1094	988 B	16.00"	10.50"	3.25"	1.75"	30.14"	6
9W5735HA	End RH. (1 req.)	193 lbs	9W5735 or 106 1097	988 B	16.00"	10.50"	3.25"	1.75"	27.85"	4
9W5732HA	End LH. (1 req.)	193 lbs	9W5732 or 106 1095	988 B	16.00"	10.50"	3.25"	1.75"	27.85"	4
104 5841HAC	CTR Blade	276 lbs	104 5841 (2 req.)	988, F, G, H	16.75"	12.08"	3.00"	1.75"	38.82"	4
1045841 HALR	CTR Intermediate RH/LH (2 req.)	286 lbs			16.75"	12.08"	3.00"	1.75"	42.93"	4
217 4726	End Rh or LH (2 req.)	82 lbs	1U0761 or 100 4043 (2 req.)	988, F, G, H	16.75"	12.08"	3.13"	1.88"	10.50"	6



## Half Arrow Segments

Part Number	Description	Weight	Replaces (DBF)	Model	A	B	C	D	E	Holes
4T6692HA	Segment	25 lbs	4T6692	939 - 963	10.88"	6.13"	2.25"	1.38"	7.69"	2
4T6693HA	Segment	26 lbs	4T6693 or 132 1036	920 - 963	10.88"	6.13"	2.25"	1.38"	8.25"	2
4T6694HA	Segment	29 lbs	4T6694 or 132 1035	916 - 963	10.88"	6.13"	2.25"	1.38"	9.00"	2
4T6695HA	Segment	34 lbs	4T6695 or 132 1037	936 - 960	10.88"	6.13"	2.25"	1.38"	10.44"	2
174 4114	Segment	55 lbs	4T6699 or 140 6868	960F, 966D,E,F,G, 970F, 972G	13.50"	7.50"	2.88"	1.75"	10.63"	2
174 4116	Segment	59 lbs	100 6666 or 140 6870	966G, 970F, 972G	13.50"	7.50"	2.88"	1.75"	11.56"	2
173 7447	Segment	59 lbs	4T6700 or 107 8580	980C,F, 988B	13.75"	7.75"	2.88"	1.56"	11.38"	2
174 4115	Segment	69 lbs	109 9019 or 135 8219	980F,G,H	14.63"	8.13"	2.88"	1.75"	12.50"	2
135 9544	CTR Segment	83 lbs	135 9294	966G, 972G	18.32"	10.31"	2.88"	1.75"	11.81"	2
135 9545/46	RH/LH Segment	86 lbs	135 9295/96		18.32"	10.31"	2.88"	1.75"	11.97"	2
113 3140	CTR Segment	80 lbs	4T3015 or 107 8582 or 140 6862	980C,F	18.28"	10.28"	2.88"	1.75"	11.34"	2
113 3141/42	RH/LH Segment	94 lbs	4T7139/40 or 107 8583/84		18.28"	10.28"	2.88"	1.75"	12.91"	2
9W5734HA	CTR Segment	83 lbs	9W5734	980 988B,G	16.00"	10.50"	3.25"	1.75"	12.25"	3
116 7460	CTR Segment	100 lbs	9W5734 or 107 3490	980F,G, 988B,F	18.83"	11.00"	3.13"	2.00"	12.28"	3
116 7461/62	RH/LH Segment	97 lbs	9W5737/30 or 107 3491/92		18.83"	11.00"	3.13"	2.00"	12.28"	3
109 9080	CTR Segment	105 lbs	101 9435 or 107 3536	988F,G, 5080	18.83"	11.00"	3.13"	2.00"	13.47"	3
109 81/82	RH/LH Segment	109 lbs	101 9436/37 or 107 3537/38		18.83"	11.00"	3.13"	2.00"	13.47"	3
109 9080HD	CTR Segment	108 lbs	101 9435 or 107 3536	988F,G, 5080	17.79"	10.83"	3.13"	2.00"	13.47"	3
109 9081HD/82HD	RH/LH Segment	112 lbs	101 9436/37 or 107 3537/38		17.79"	10.83"	3.13"	2.00"	13.47"	3
257 1782	CTR Segment	133 lbs	N/A	988H	16.55"	10.82"	3.00"	2.00"	16.00"	4
257 1783/84	RH/LH Segment	138 lbs	N/A		16.55"	10.82"	3.00"	2.00"	16.00"	4
275 5460	CTR Segment	191 lbs	4T6760/61/62 or 107 3530/31/32 or 107 6294/95/96	988F,G, 990, 992D,G	21.34"	13.09"	4.25"	2.50"	16.14"	4
275 5461/62	RH/LH Segment	213 lbs	4T6760/61/62 or 107 3530/31/32 or 107 6294/95/96		21.34"	13.09"	4.25"	2.50"	17.17"	4
275 5470	CTR Segment	240 lbs	4T6760/61/62 or 107 3530/31/32 or 107 6294/95/96	988F,G, 990, 992D,G	21.34"	13.09"	5.00"	3.25"	16.14"	4
275 5471/72	RH/LH Segment	272 lbs	4T6760/61/62 or 107 3530/31/32 or 107 6294/95/96		21.34"	13.09"	5.00"	3.25"	17.17"	4
264 2090	CTR Segment	194 lbs	N/A	990H	21.45"	13.91"	3.81"	2.50"	18.51"	4
264 2091/92	RH/LH Segment	206 lbs	N/A		21.45"	13.91"	3.81"	2.50"	18.51"	4
109 9030	CTR Segment	355 lbs	103 1833	994, D,F	26.75"	17.21"	6.00"	3.50"	17.32"	5
109 9033	CTR Segment	483 lbs	107 3383		26.75"	17.21"	6.00"	3.50"	24.49"	5
109 9031/32	RH/LH Segment	359 lbs	103 1834/35 on specific base edges	994 B.E.# 101 5868/5865, 110 2339	27.55"	18.89"	6.00"	3.50"	17.32"	5
117 6805/06	RH/LH Segment	350 lbs	103 1834/35 on specific base edges	994 B.E. # 121 2105/6660	26.75"	17.21"	6.00"	3.50"	17.32"	5



### Half Arrow Blade Cover Plates

Part Number	Description	Weight	Number Required	Model	A	C	E	Holes
1U0593TP	CTR Cover Plate	60 lbs	(3 req.)	960F, 966D,E,F,G,H, 970F, 972G,H	12.59"	1.00"	33.50"	4
100 6668TP	CTR Cover Plate	62 lbs	(3 req.)	966G,H 970F, 972G,H	12.59"	1.00"	35.38"	4
3G6395TPR	RH Cover Plate	13 lbs	(1 req.)	960F, 966D,E,F,G,H 970F, 972G,H	12.59"	1.00"	5.75"	3
3G6395TPL	LH Cover Plate	13 lbs						
217 4725TP	CTR Cover Plate	91 lbs	(3 req.)	980C,F	13.37"	1.25"	36.75"	4
217 4727TP	CTR Cover Plate	93 lbs	(3 req.)	980F,G,H	13.37"	1.25"	37.94"	4
217 4726TPR	RH Cover Plate	18 lbs	(1 req.)	980C,F,G,H	13.37"	1.25"	6.00"	3
217 4726TPL	LH Cover Plate	18 lbs						

### Half Arrow Segment Cover Plates

Part Number	Description	Weight	Used With	Model	A	C	E	Holes
113 3140TP	CTR Cover Plate	26.0 lbs	113 3140	980C,F	7.86"	1.25"	11.34"	2
113 3141TP/42TP	RH/LH Cover Plate	31.0 lbs	113 3141/42		7.86"	1.25"	15.27"	2
195 7180CAST	CTR Cover Plate	32.8 lbs	116 7460 or 109 9080	988F, G	8.24"	1.25"	13.50"	3
195 7181/82CAST	RH/LH Cover Plate	34.0 lbs	116 7461/62 or 109 9081/82		8.24"	1.25"	16.00"	3
195 7096CAST	CTR Cover Plate	40.0 lbs	119 6000 or 275 5460 or 275 5470	988F,G, 990, 992D,G	9.63"	1.25"	16.00"	4
195 7097/98CAST	RH/LH Cover Plate	45.0 lbs	275 5461/62 or 275 5471/72		9.63"	1.25"	20.25"	4
264 2096	CTR Cover Plate	40 lbs	264 2090	990	9.86"	0.94"	18.50"	4
264 2097/98	RH/LH Cover Plate	48 lbs	264 2091/92		9.85"	0.94"	22.95"	4
208 5327	CTR Cover Plate	49.0 lbs	119 6000 or 275 5460 or 275 5470	992G	10.25"	1.25"	16.00"	4
208 5328/29	RH/LH Cover Plate	54.0 lbs	275 5461/62 or 275 5471/72	High Abrasion Buckets 35 degree bevel	10.20"	1.25"	17.56"	4
195 7230	CTR Cover Plate	84.0 lbs	109 9030	994D, F	13.06"	1.50"	17.50"	5
195 7231/32	RH/LH Cover Plate	92.0 lbs	117 6805/06		13.50"	1.50"	17.10"	5
109 9033TP	CTR Cover Plate	122 lbs	109 9033	994D, F	13.06"	1.50"	24.5"	5
109 9031TP/32TP	RH/LH Cover Plate	65.0 lbs	109 9031/32		13.75"	1.50"	17.65"	5

[www.BlackCatWearParts.com](http://www.BlackCatWearParts.com)